

4235 2

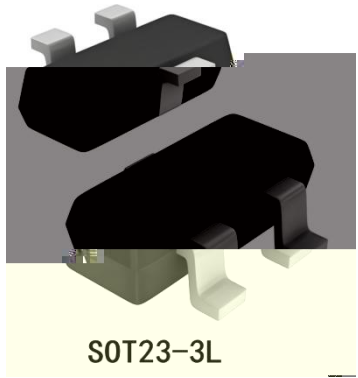
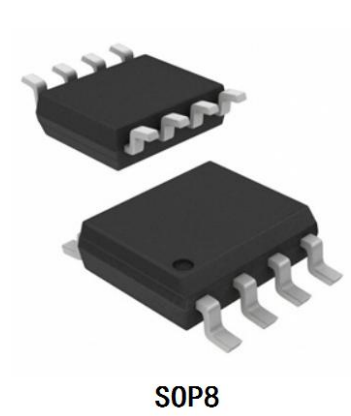
23-3

4235

-
-
-
- ()
-
-
-
-
-
- - 100
-

(ESD)

-
-
-
-
-
-
-
-
-
-
-
-



2.1

		42
	()	
25	(,)	0.5
150	(,)	1.0
	()	350
		00 ¹⁾
		5 ²⁾

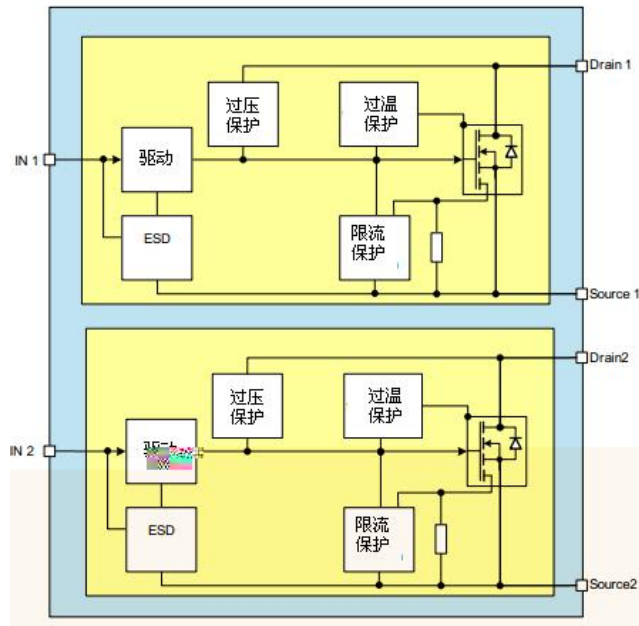
1)

2)

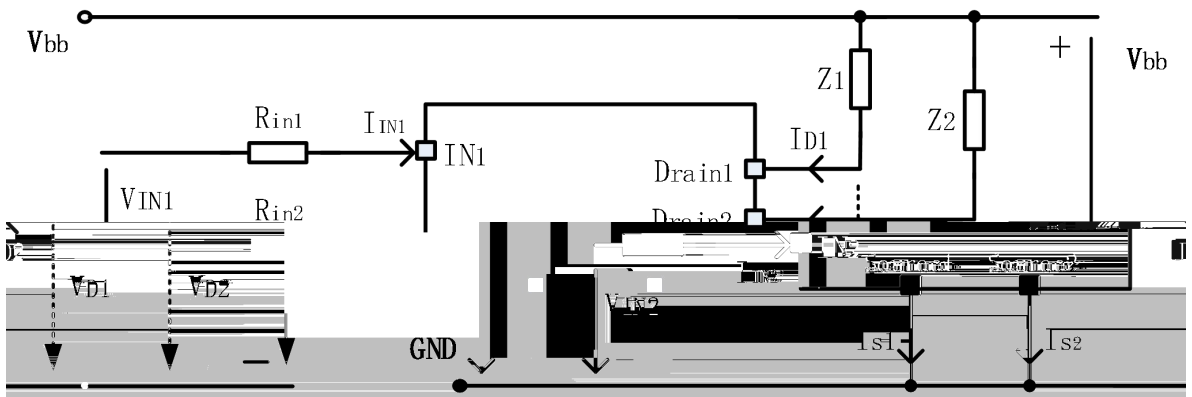
4235

4235

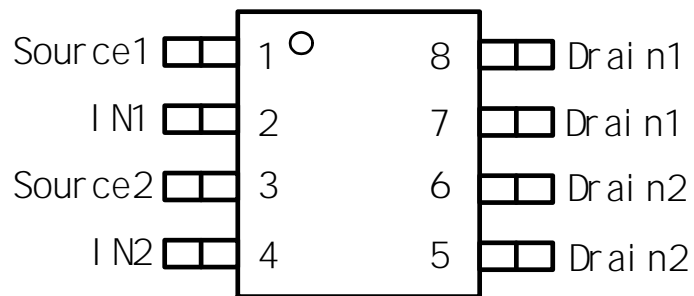
-



3-1

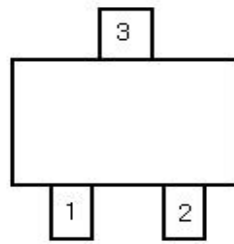


3-2



4-1

1	1	1
2	1	1 /
3	2	2
4	2	2 /
5,	2	2
,	1	1



4-2 23-3

1		
2		/
3		

$$T_j = -40 \quad +150$$

(

)

.1				42		²⁾ 0 10
.2			-0.3			-
.3				300		-0.2
.4				00		³⁾ 25
.5				0.		5
.			-40	+125		
.			-55	+150		
.			-2	2		⁴⁾ 1.5 100 25

.1			-	-	3	/	1)
.2			-	0	-	/	2)

1)

2)

/

51-

4

4

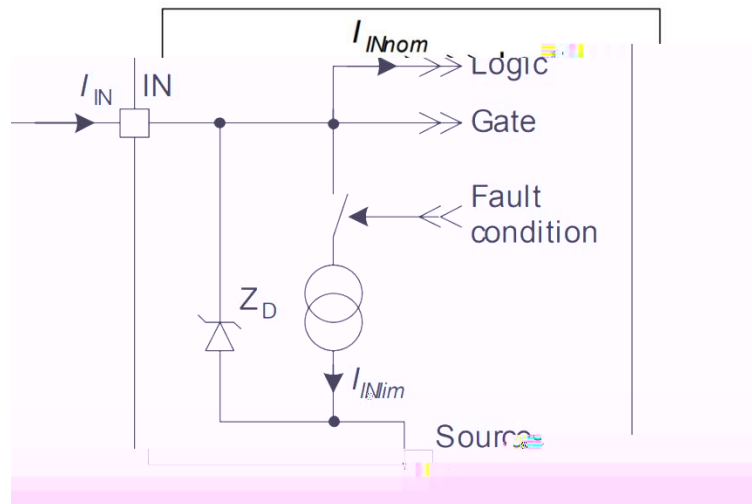
.2

*114.3

0.

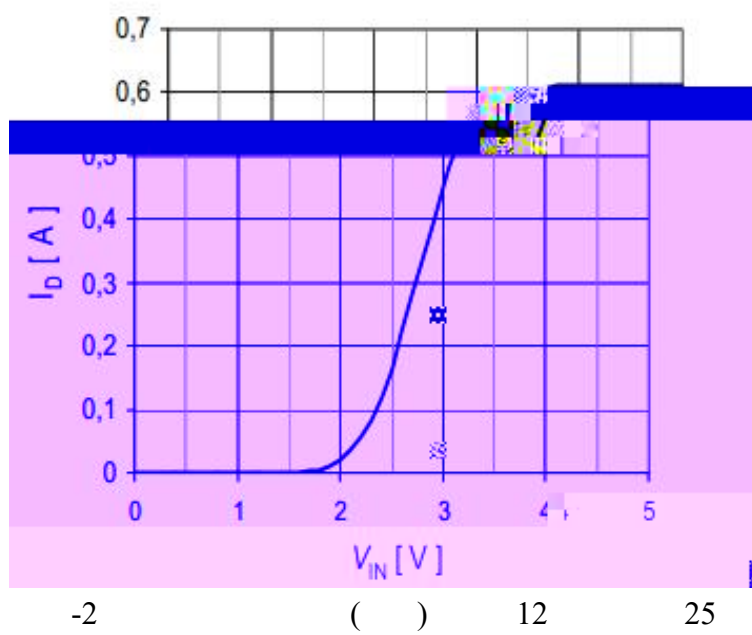
-1

4235



-1

-2



-2

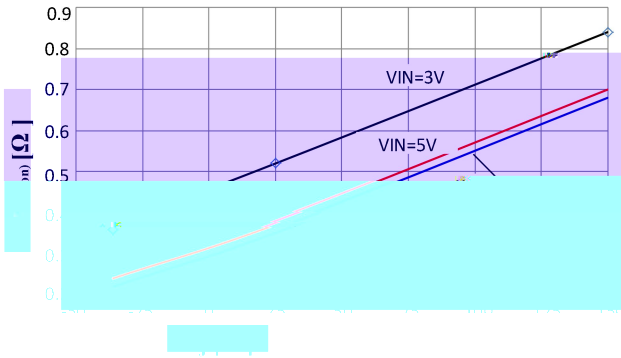
()

12

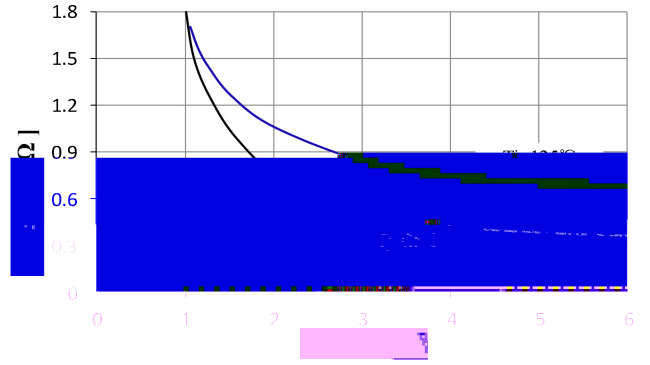
25

4235

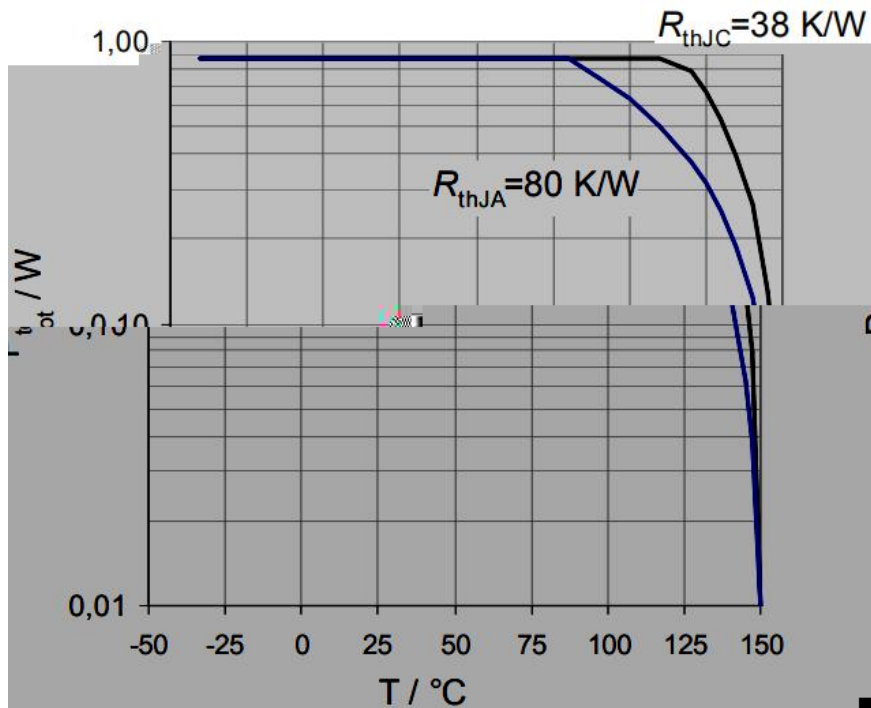
-3



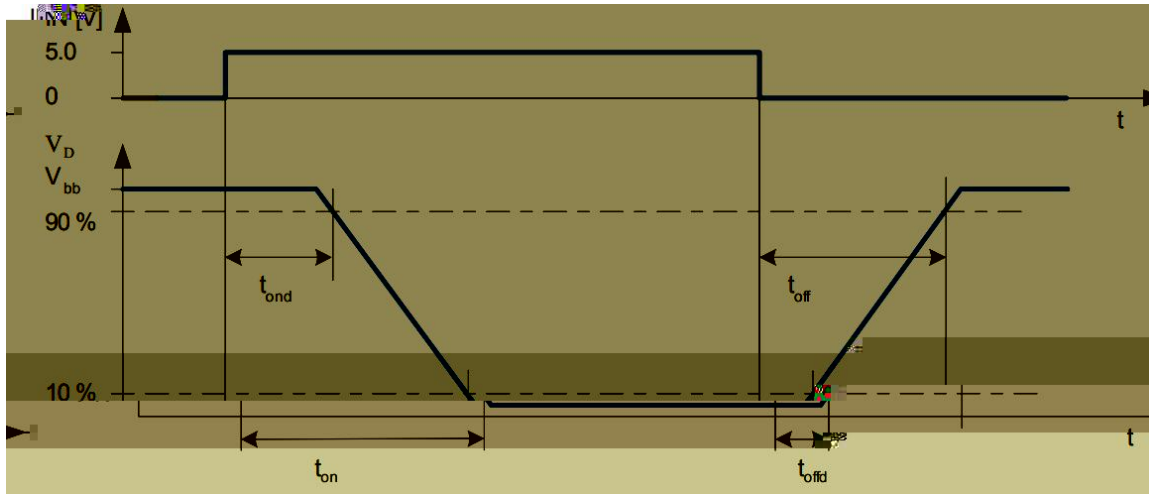
()



-5



-5



-40 +150 ()

.1			-	40	55		0 5
.2			-	200	300		5 150
.3			-	-	2		50 25

.11			-	-	30		5 0%
.12			-	-	55		0 10%
.13		/	-	2.5	.3	/	50%-30% 2 0 5 12
.14		/	-	.0	1 .2	/	30%-50% 2 5 0 12
.15			-	1.0	1.5		-1 0

1

()

2

/

51-

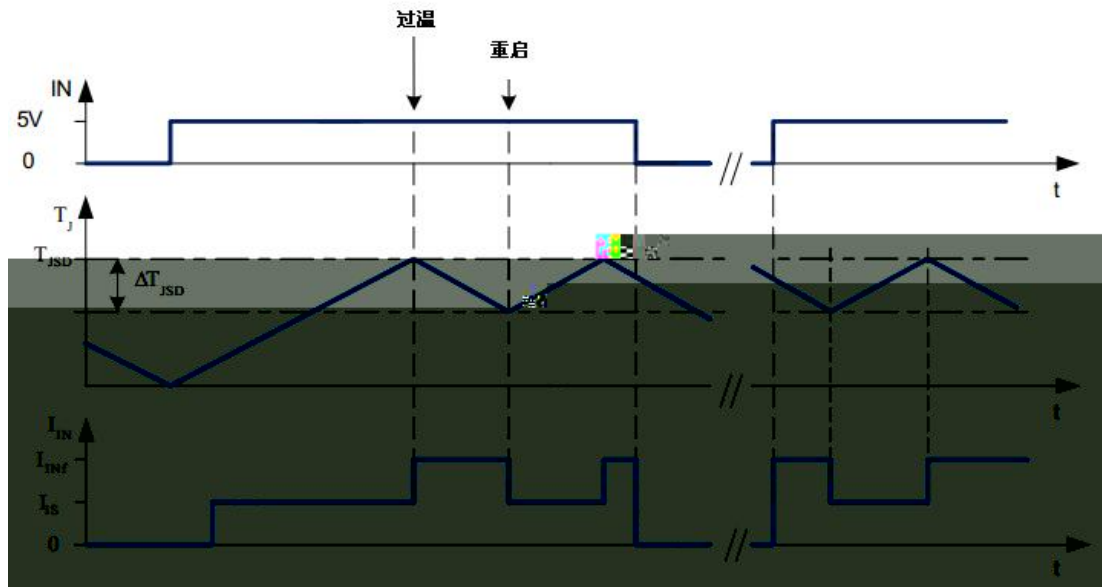
(4

4

.2

*114.3

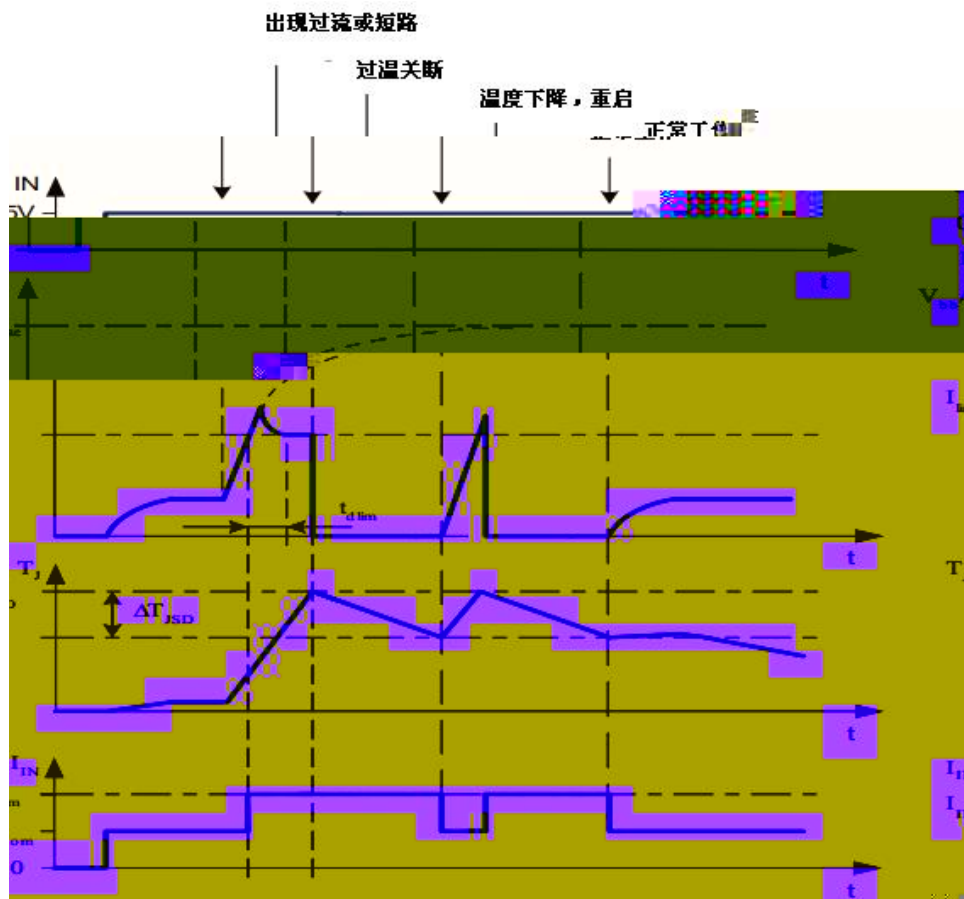
)



-1

4235

-2

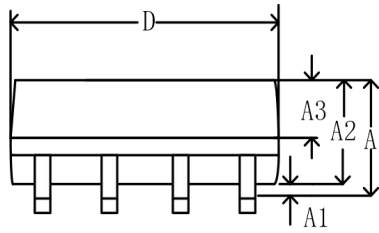


-2 4235

-40 +150

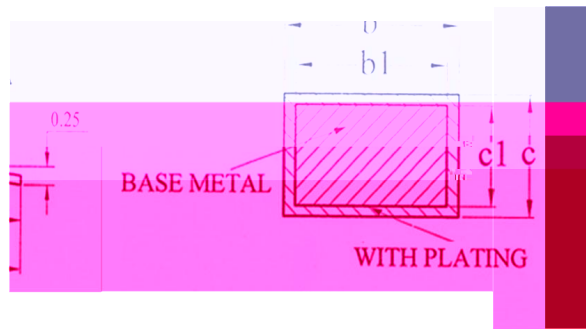
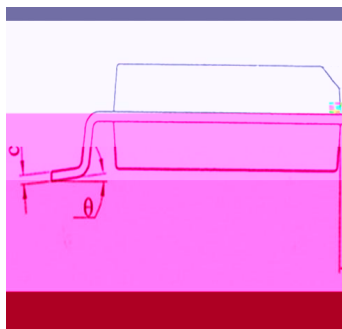
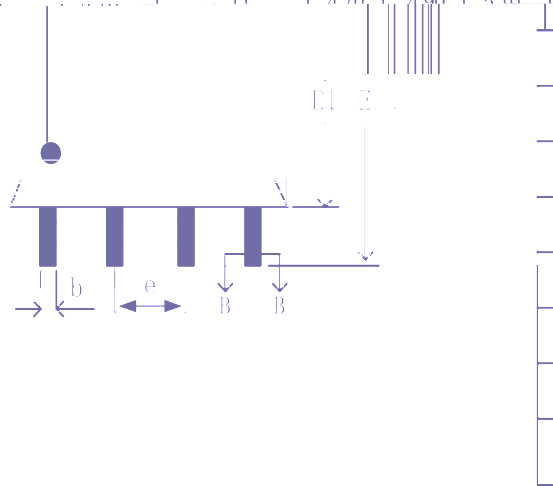
()

.1	150	1 5	-	1)
.2	-	10	-	1)
.3	3	-	42	0 10
				5
	0.	0.	1.2	
.4				



SYMBOL	MILLIMETER		
	MIN	NOM	MAX
A	—	—	1.75
A1	0.10	—	0.225
A2	1.30	1.40	1.50
A3	0.60	0.65	0.70
b	0.39	—	0.48
b1	0.38	0.41	0.43
c	0.21	—	0.26
c1	0.19	0.20	0.21
D	4.70	4.90	5.10

E	5.80	6.00	6.20
E1	3.70	3.90	4.10
e	1.27 BSC		
f	0.25	—	0.50
L	0.50	—	0.80
L1	1.05 BSC		
	0	—	8
L/F载体尺寸 (mil)	80*80	90*90	95*130





4235 2		4235 2	2500 / &
4235	23-3	4235	3000 / &