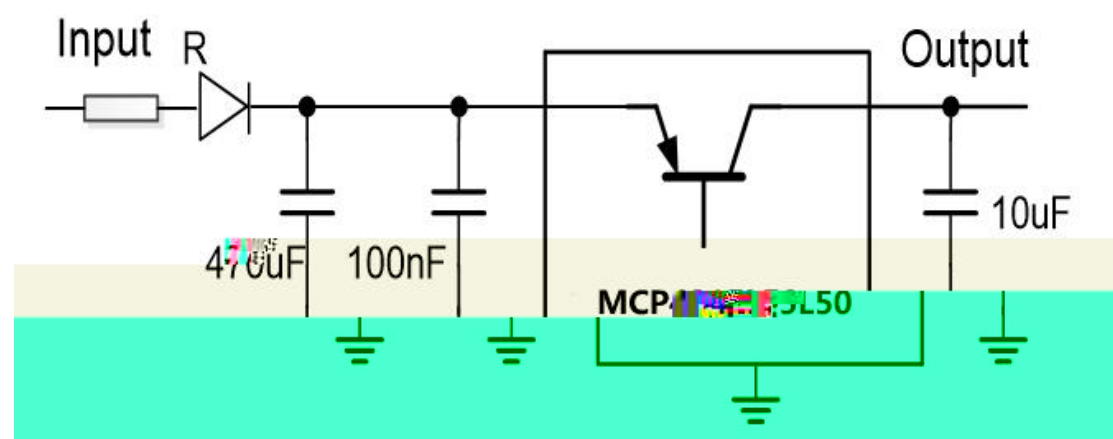
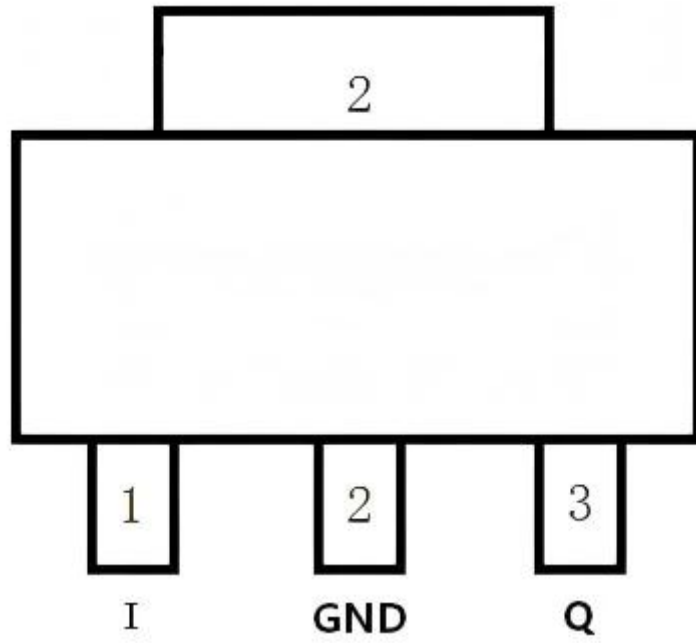


MCP4215L50 150mA  
MCP4215L50 SOT-223-3  
MCU  
MCP4215L50  
 $5.5V < V_I < 42V$   $\pm 1\%$  5V

- 5.5V 42V
- 400mV @ 100mA
- $\pm 1\%$
- 150mA
- 90uA
- 
- AEC-Q100
- RoHs



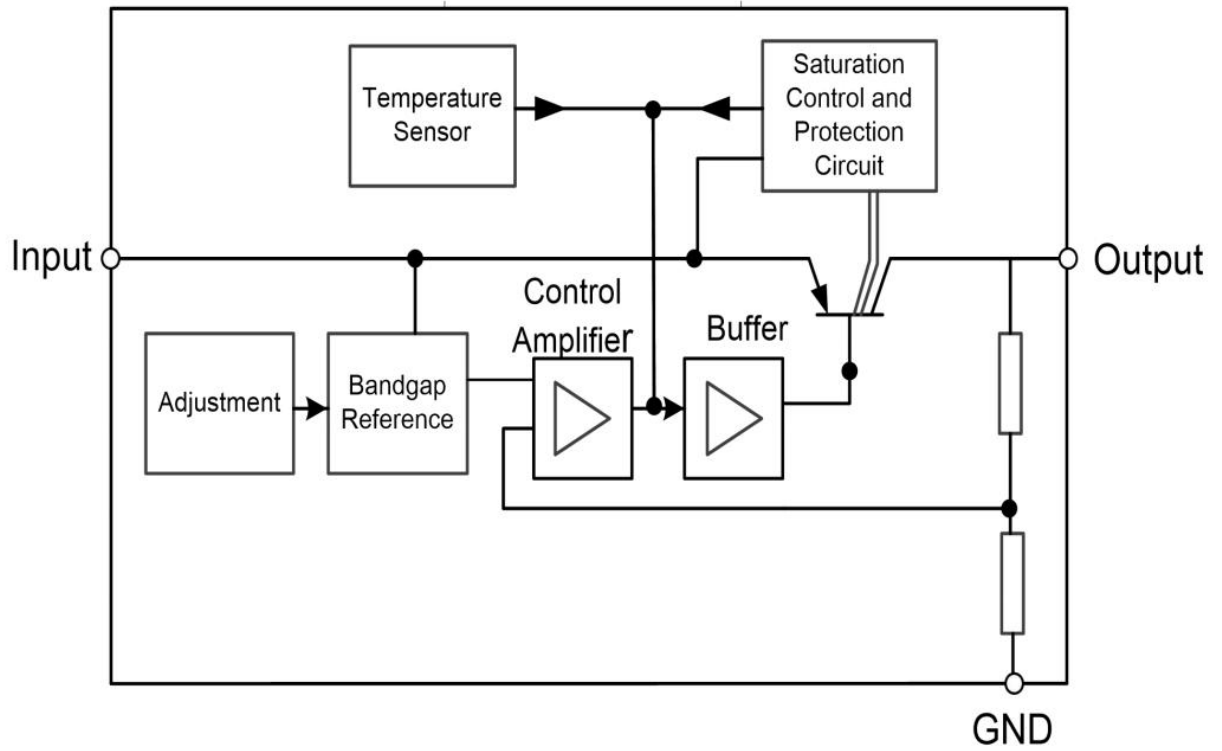
1 MCP4215L50



2

1

I	1	
GND	2	
Q	3	5V      C <sub>Q</sub> 1uF    ESR 4



3 MCP4215L50

I ..... -0.3V~42V

[2]

JA ..... 60 /W

..... -40 ~150

10s ..... 260

..... -40 ~150

ESD<sup>[3]</sup>

V<sub>ESD\_HBM</sub> ..... -2000V~+2000V

V<sub>ESD\_CDM</sub> ..... -1000V~+1000V

..... 5.5V~42V

..... -40 ~125

$V_I = 13.5V$   $T_A = 25$

	$V_I$		5.5	13.5	42	V
	$V_Q$	$V_I = 13.5V$ $I_Q = 50mA$	4.95	5.0	5.05	V
	$V_{LNR}$	$8V < V_I < 40V$ $I_Q = 5mA$		2	10	mV
	$V_{LDR}$	$I_Q = 1mA \sim 150mA$		2	10	mV
	$V_{dr}$	$I_Q = 100mA$		400	500	mV
	$I_{q1}$			80	100	$\mu A$
	$I_{q2}$	$I_Q = 5mA$		100	110	$\mu A$
	$I_{q3}$	$I_Q = 100mA$		350	450	$\mu A$
	$I_Q$	$V_I = 7V$	0		360	mA
	$I_{LIM}$	$V_I = 13.5V$ $V_Q = 0.9 * V_{Q(normal)}$		365		mA
	PSRR	$f = 100Hz$ $V_{ripple} = 0.5V_{pp}$		70		dB
	$V_{UVLO}$	$V_I$		2.3		V
	$V_{UVLO\_HYS}$			0.1		V

[1]

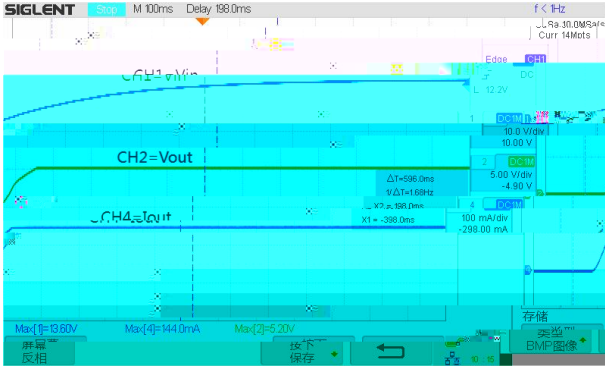
[2]  $J_A$  PCB  $T_A = 25$

[3] ESD-HBM JESD22-A114 ESD-CDM EIA-JEDEC JESD22-C101

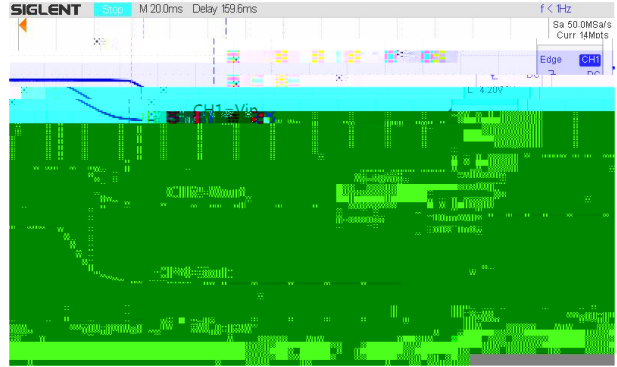
[4]

$T_A=25$

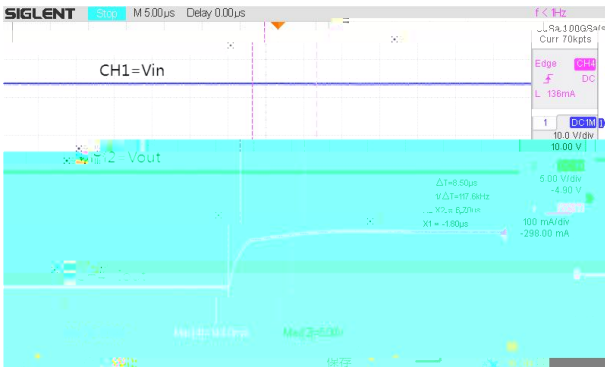
$V_I=13.5V$   $V_Q=5V$   $I_Q=150mA$



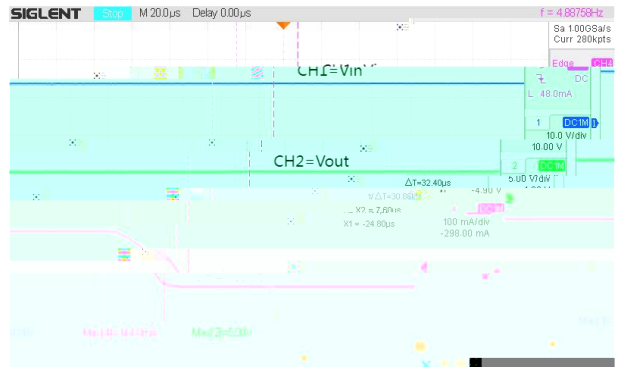
$V_I=13.5V$   $V_Q=5V$   $I_Q=150mA$



$V_I=13.5V$   $V_Q=5V$   $I_Q$  0mA~150mA



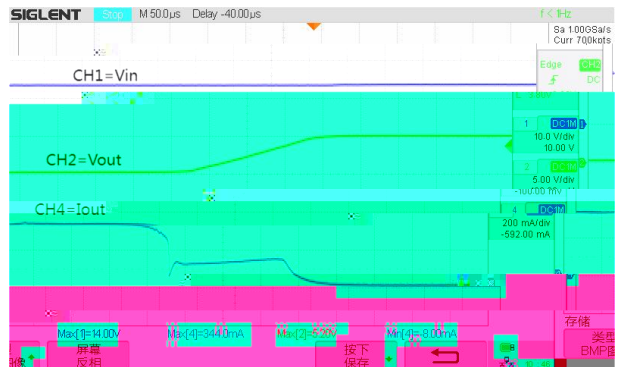
$V_I=13.5V$   $V_Q=5V$   $I_Q$  150mA~0mA



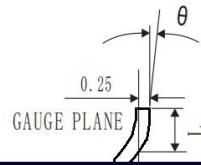
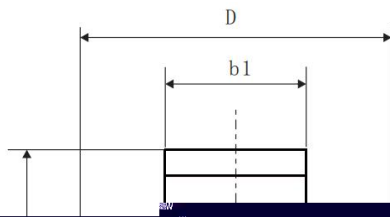
$V_I=13.5V$   $V_Q=5V$   $I_Q$  0mA~



$V_I=13.5V$   $V_Q=5V$   $I_Q$  ~0mA

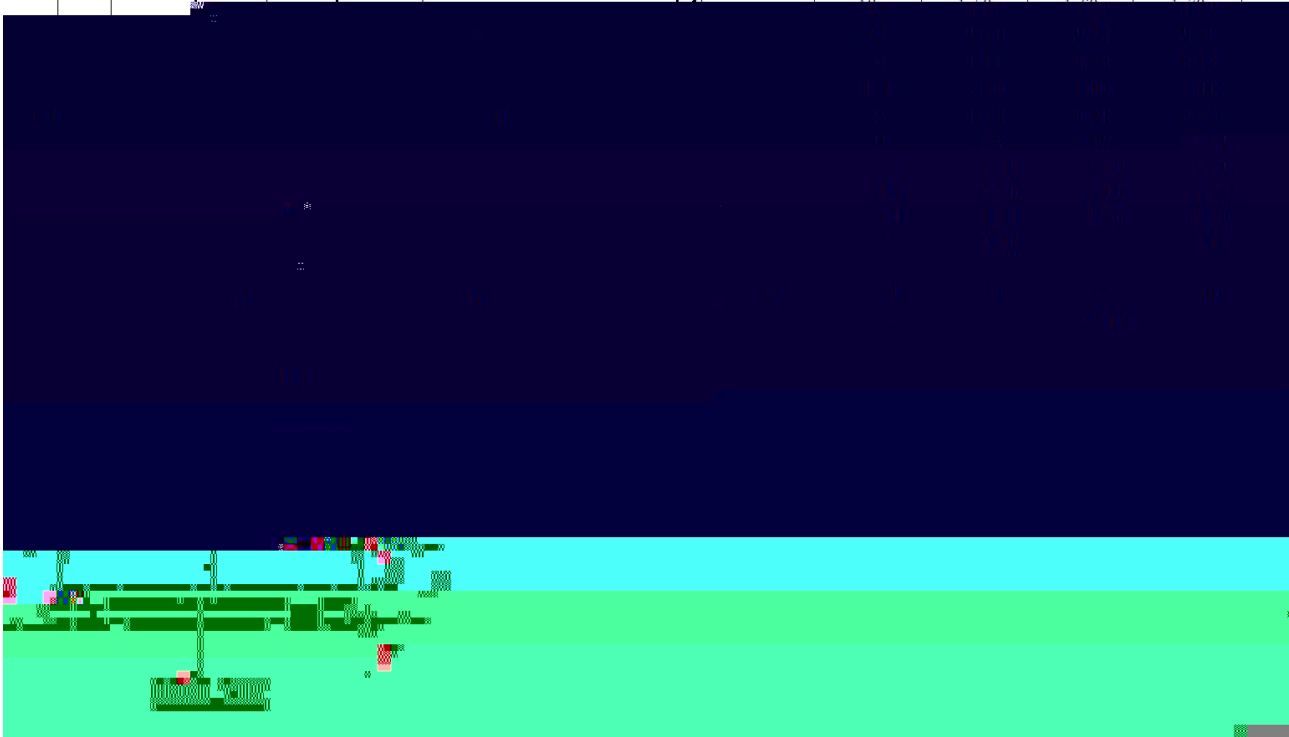






COMMON DIMENSIONS  
(UNITS OF MEASURE=mm)

SYMBOL	MIN	NOM	MAX
A	—	—	1.80
A 1	0.00	0.05	0.10
A 2	1.50	1.60	1.70



SOT-223-3

MCP4215L50	SOT-223-3	2500pcs/Tape&Reel